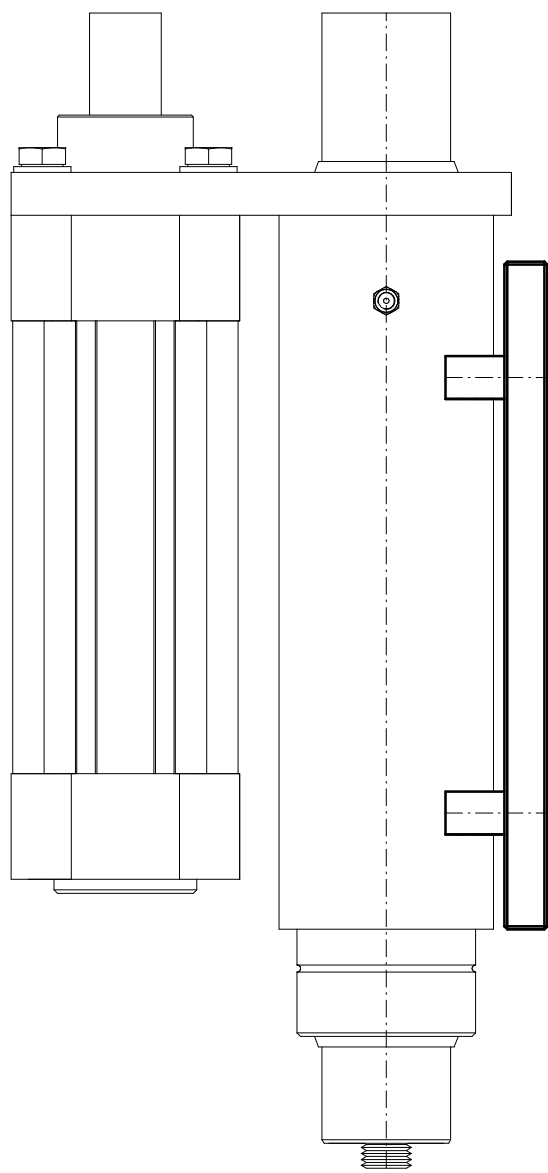
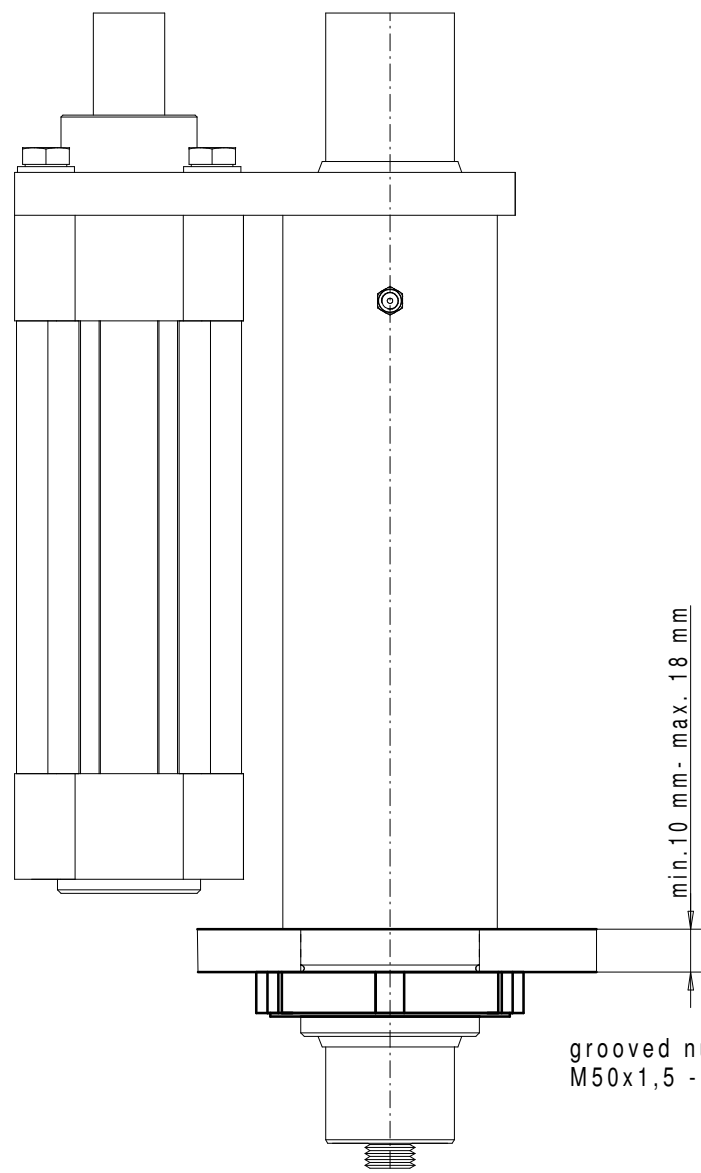


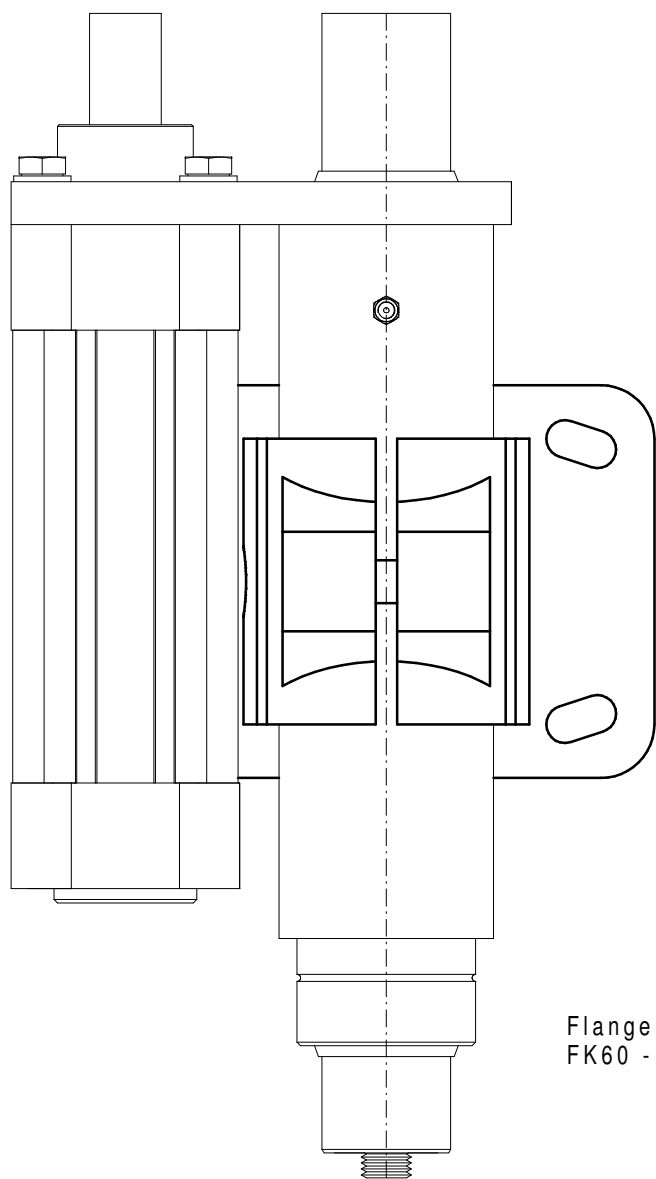
Mounting elements for Swivel units DVM050



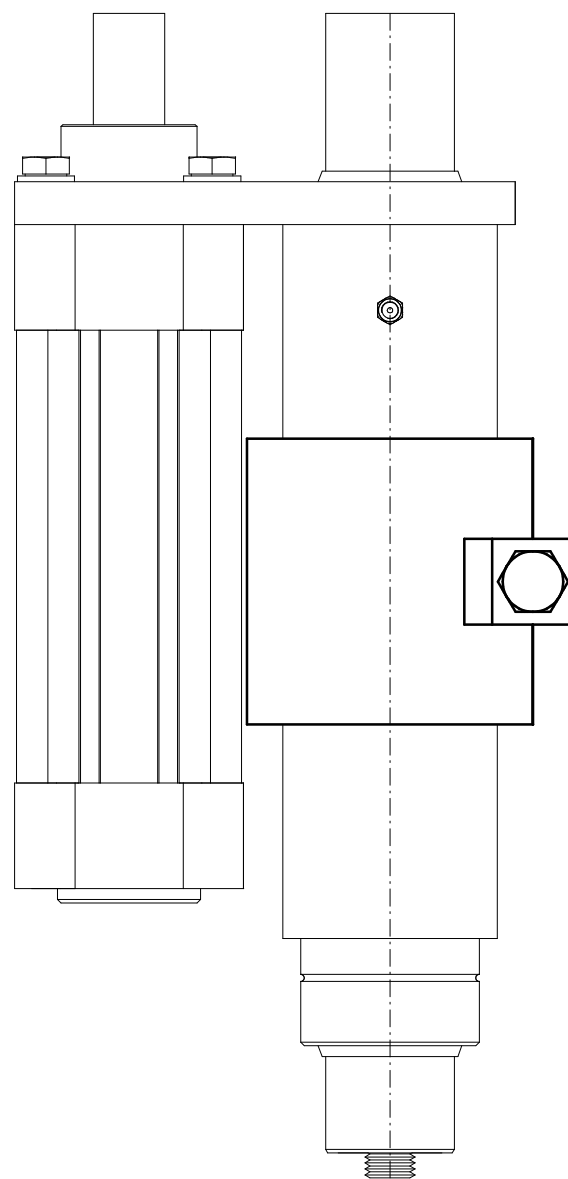
Foot mounting
FB 60 - Item Id. 700510



grooved nut
M50x1,5 - Item Id. 526673



Flange clamp
FK60 - Item Id. 756055



Flange clamp
FL60 - Item Id. 756065

The Swivel units DVM050 can be fixed by different options as shown above.

For mounting the foot plate there are two threads in the main guidance of the drilling unit. The assembly can be done in the factory and at the customer.